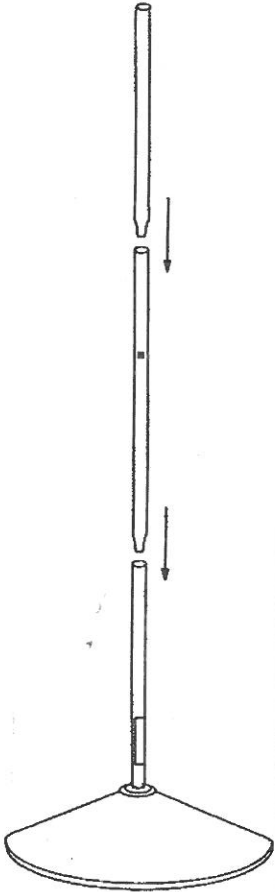


**Snap Rack Snap Open CLIPPER™**  
**Floor Display Universal**  
**INSTRUCTIONS**

**CONTENTS:**  
 1 Base  
 1 Three Piece Pole Set  
 2 Clipper Assemblies (108)

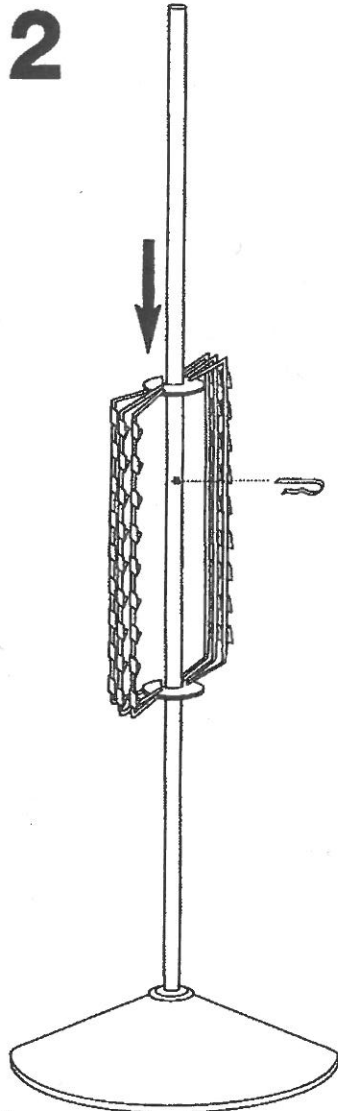
1 Support Pin  
 1 Sign Clip  
 OPTIONAL: Scanner Tags

**1**



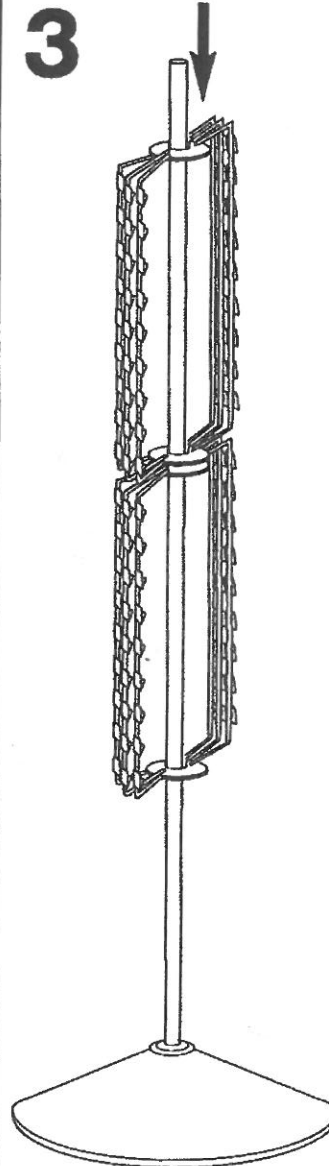
Place plain pole in base, sticker end down. Then add middle pole and top pole.

**2**



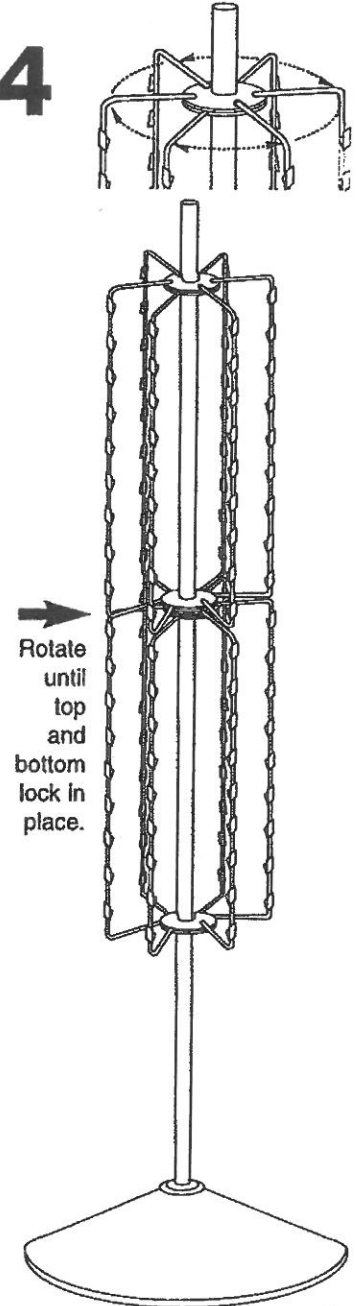
Slide first Clipper Assembly WITH CLIPS FACING DOWN over the pole until the bottom is past the punched hole. Insert the support pin and rest the top of the assembly on the support pin.

**3**



Slide second Clipper Assembly WITH CLIPS FACING DOWN over the pole and rest on top of the assembly already in place.

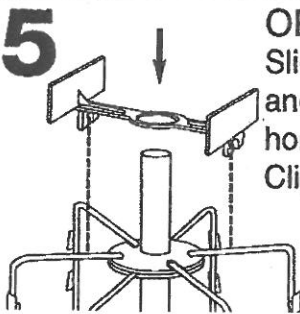
**4**



Rotate until top and bottom lock in place.

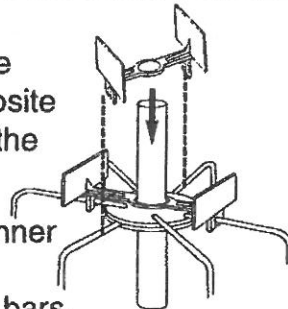
Snap open the Clipper Assemblies as shown and rotate until top and bottom assemblies line up and lock in place.

**5**

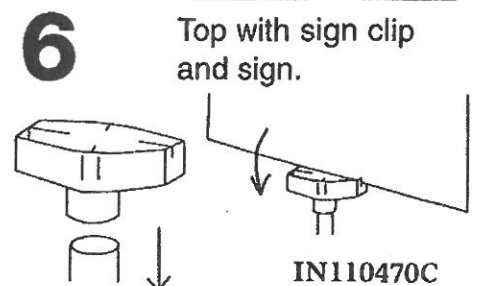


**OPTIONAL:**  
 Slide a scanner tag over pole and snap securely onto opposite horizontal bars at the top of the Clipper Assembly.

Slide a 2nd and 3rd scanner tag over pole and snap securely onto remaining bars.



**6**



Top with sign clip and sign.

IN110470C