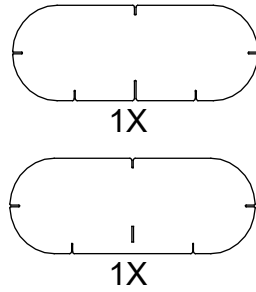
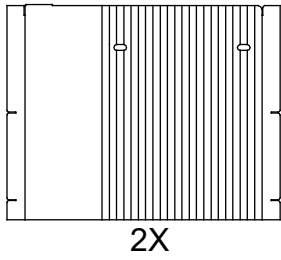


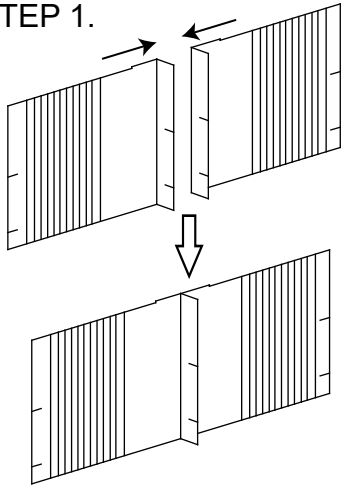
ASSEMBLY INSTRUCTIONS

CBCTR - CARDBOARD COUNTER

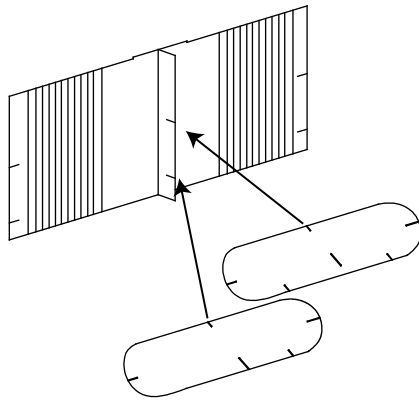
PARTS LIST:



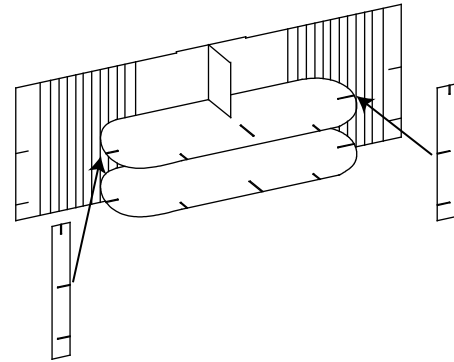
STEP 1.



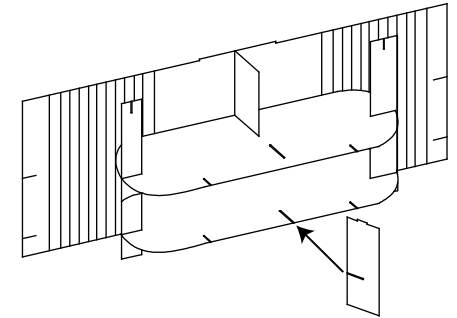
STEP 2.



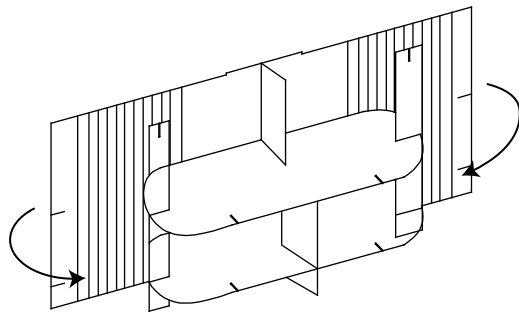
STEP 3.



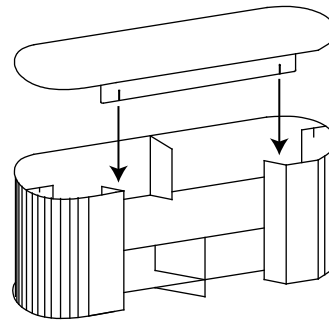
STEP 4.



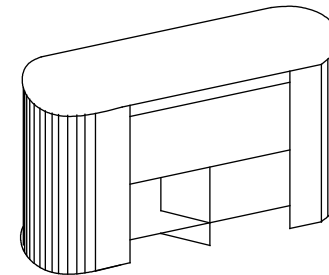
STEP 5.



STEP 6.



STEP 7.



Scan QR code to visit the product page:



If you have any questions regarding our products, please visit us at www.displays2go.com or contact D2G customer service 844-221-3388.

Ver. 03/19

DISPLAYS2GO