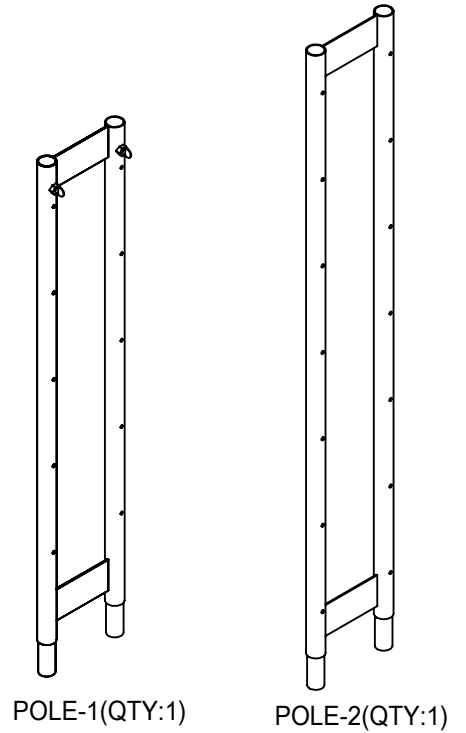
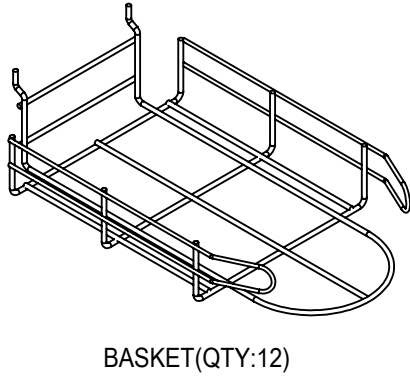
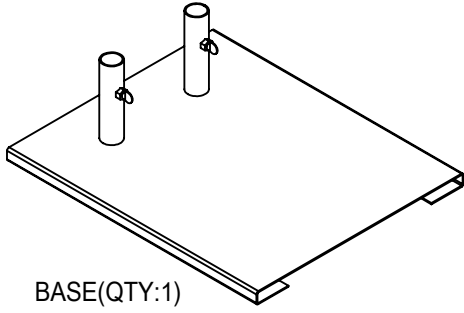


PARTS LIST



STEP: 1. Place POLE-1(1) to BASE (1), then insert POLE-2(1) into POLE-1(1), secure with thumb screw as shown below.
2. Attached basket(12) into POLE. Begin basket assembly from the bottom.
3. Place sign holder(2) over the top of POLE-2.

