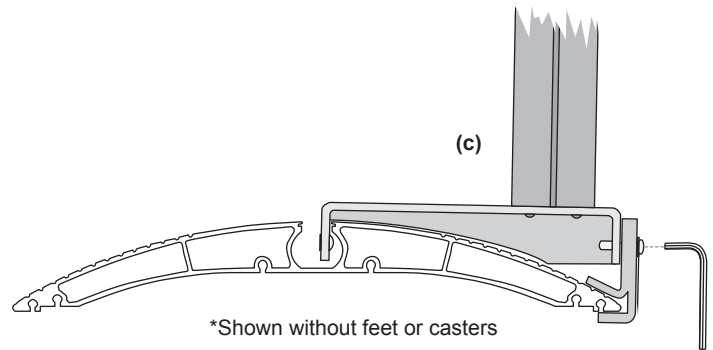
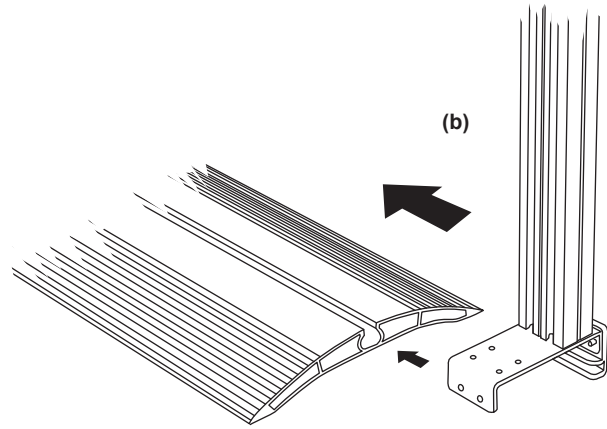
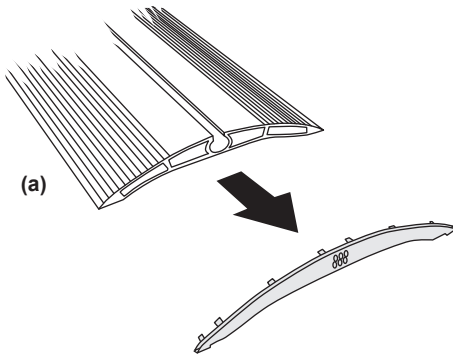


AV BASE & POLE

Installation Instructions

POLE Installation

- a. Remove end cap from the base and slide the base clamp on the bottom of the pole into the middle channel on the base. If necessary loosen the bolts on the base clamp using a 6mm Allenkey.
- b. Slide the pole to the center of the Base. (when using a double pole set up, place poles equal distance from the ends of the base)
- c. Securely tighten the base clamp on the pole using a 6mm Allenkey.
- d. Replace the end cap previously removed in step a, snapping it into place.



AV BASE & POLE

Installation Instructions

POLE Installation

- a. Remove end cap from the base and slide the base clamp on the bottom of the pole into the middle channel on the base. If necessary loosen the bolts on the base clamp using a 6mm Allenkey.
- b. Slide the pole to the center of the Base. (when using a double pole set up, place poles equal distance from the ends of the base)
- c. Securely tighten the base clamp on the pole using a 6mm Allenkey.
- d. Replace the end cap previously removed in step a, snapping it into place.

