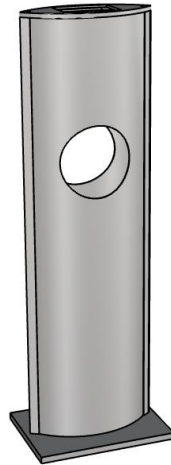
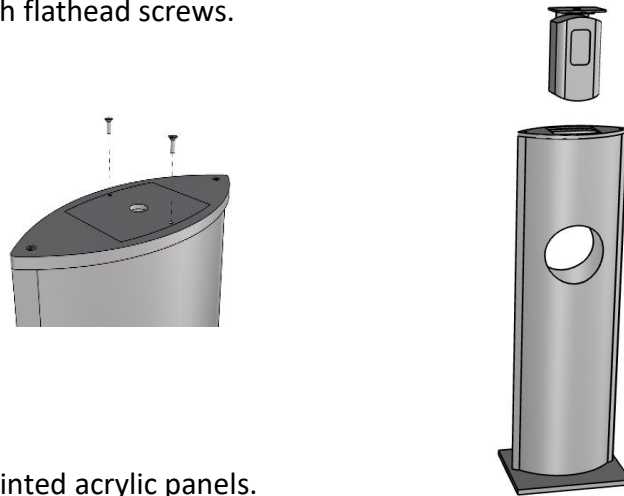


- 1 Take hand sanitizer dispenser out of the box and place it on the floor at its upright position.

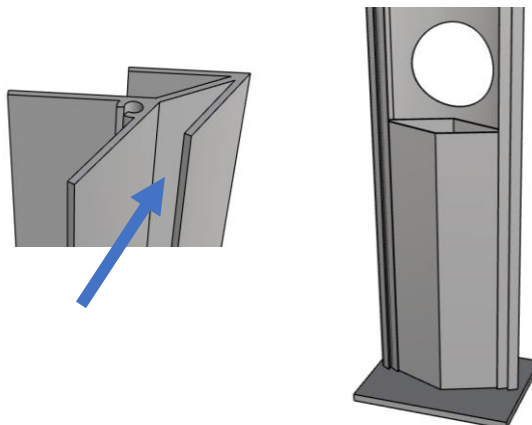


- 2 Unfasten 2 flathead screws and push the hand sanitizer dispenser up from bottom to remove it from the unit. Open dispenser by pressing release buttons on side of dispenser. Insert (4) D-cell batteries and the hand sanitizer refill (not included) and close the cover. Drop the hand sanitizer dispenser with bracket into place and secure with flathead screws.



- 3 Assemble/replace the printed acrylic panels. Insert the edge of 1 acrylic panel into the groove between 2 "V" shapes. Insert the other end of the panel into the groove on the other side. Create tension on panel then the panel bows so it's easier to insert the 2nd edge. Assemble the other panel the same way.

To remove the graphics, hold the acrylic panel at cutout hole and slightly bend acrylic panel inward.



Scan QR code to visit the product page:



If you have any questions regarding our product, please visit us at www.displays2go.com or contact D2G customer service at 844-221-3388.