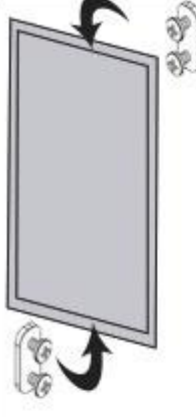

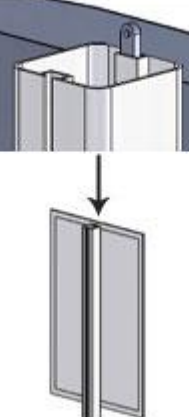
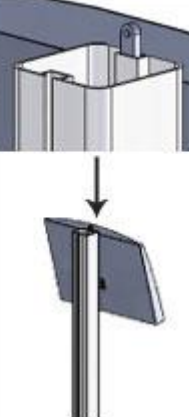



# BP Stand Assembly Instructions

 <p><b>Step 1</b> To attach the snap frame to the pole unit, loosely screw the connectors to backside of the frame at the top and bottom.</p>	 <p><b>Step 2</b> Remove the cover at the top of the pole and slide the screws and connectors along the groove in the pole.</p>	 <p><b>Step 3</b> Slide the screws and connectors along the groove in the pole. Adjust to appropriate height and tighten!</p>	 <p><b>Step 4</b> To attach accessories, with screws &amp; connectors loosely attached, slide the shelf down the groove on the pole. Adjust and tighten.</p>	 <p>Your Forte series display stand is now complete!</p>
--	--	--	--	---