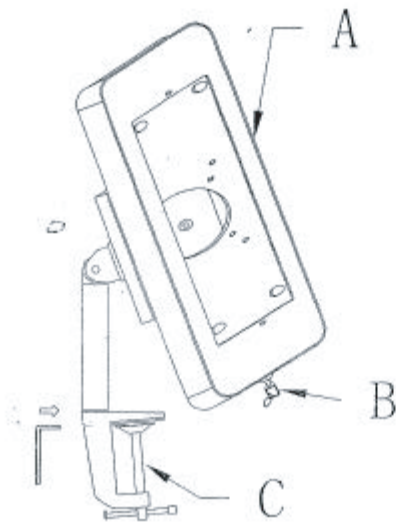
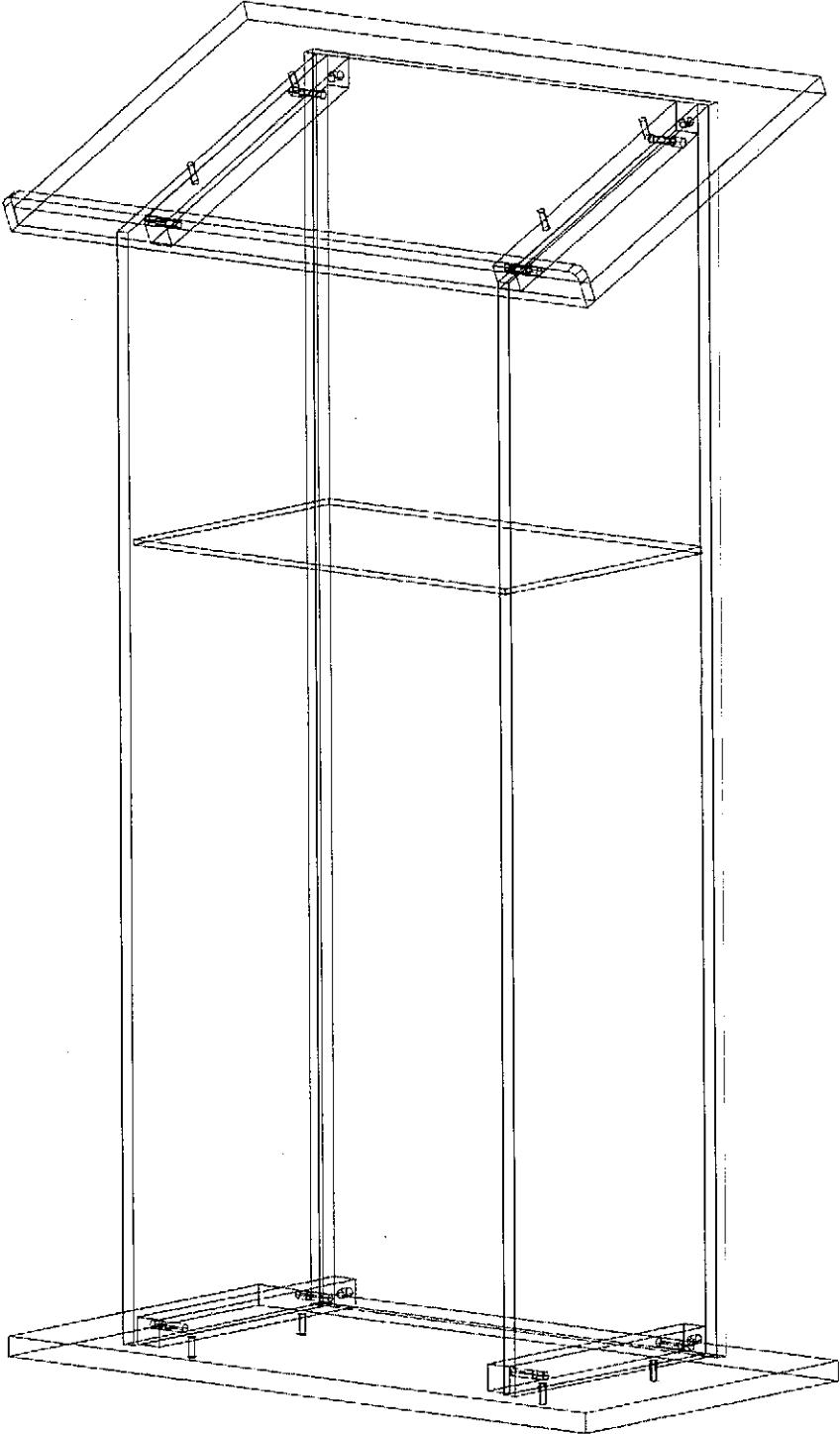


# IPAD-04



# LECTKD series

## Assembly instructions



# LECTKD Series

PLEASE CONFIRM ALL PARTS SHOWN OR NOTED ARE PRESENT  
BEFORE STARTING. DO NOT DISCARD PACKING

- Parts:
- (12) 1" X ¼-20 Allen- head screws
  - (4) Clear plastic shelf clips
  - (1) Shelf panel
  - (1) Top panel with paper ridge (2 brackets pre attached)
  - (1) Bottom with non-skid feet (2 brackets pre attached)
  - (1) Front panel
  - (2) Side Panels
  - (1) Allen Wrench

## Helpful Tips and Hints:

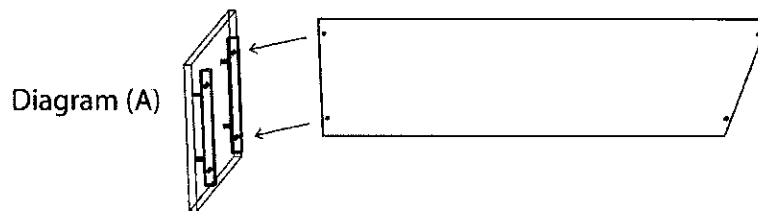
- a. Do not fully tighten any screws or fasteners until all pieces, aside from center shelf, are assembled (leave a couple of turns loose).
- b. Assembly surface should be clean, soft and free of debris to avoid scratching or damage to unit during assembly. The packing material (\*with staples carefully removed\*) can make a great work surface.
- c. Assemble entire unit lying horizontally on floor or similar flat stable surface.

## Assembly:

Step 1: loosen all screws on top and base one to two turns.

Step 2: Attach (1) side panel to clear bracket on base using (2) 1" x ¼-20 screws. The longer Edge of side panel and threaded holes at end of Base Brackets should face up.

See Diagram (A) below. \*note: do not fully tighten screws at this point.

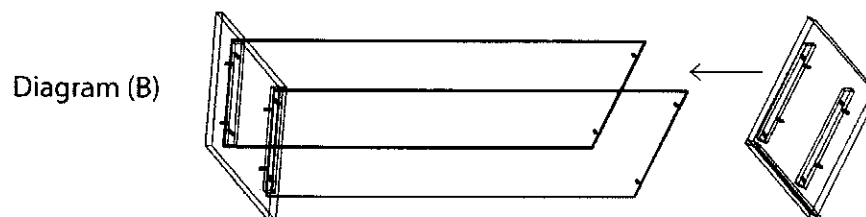


Step 3: Repeat process from Step2 for second side panel

Step 3: Leaving unit in position, attach top to angled edge of side panels using

(2) 1"x ¼-20 screws. Angled edge of brackets (with threaded holes) should be up.

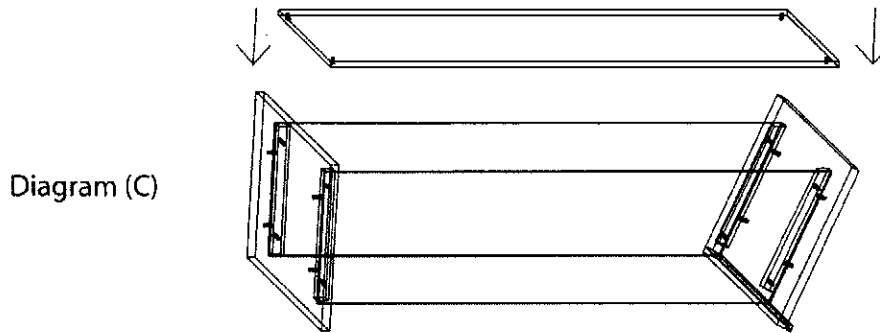
See Diagram (B) below. \*note: do not fully tighten screws at this point.



Step 4: Leaving unit in place, lower side panel onto long edge of side panels. Align angled / Shorter edge of top panel with angled edge of side panels. Line up (4) holes on front panel with (4) threaded ends of brackets and attach using (4) 1"x ¼-20 screws.

See Diagram (C) below.

\*note: do not fully tighten screws at this point.



Step 5: Carefully stand unit upright.

Step 6: Tighten all screws in order 1) side panels, 2) front panel, 3) base, 4) top.

Do not over tighten. Tighten each screw ½ turn beyond snug.

(20) Screws total.

Step 7: Insert (4) shelf clips into (4) remaining holes, located on inside of unit and

Approximately ¾ of the way up on the unit. Remove protective layer from shelf and place the shelf on top of these clips.

**Care Instructions:**

Clean with mild detergent and soft cloth. Dry with soft cloth.

**DO NOT USE CHEMICAL CLEANERS!**