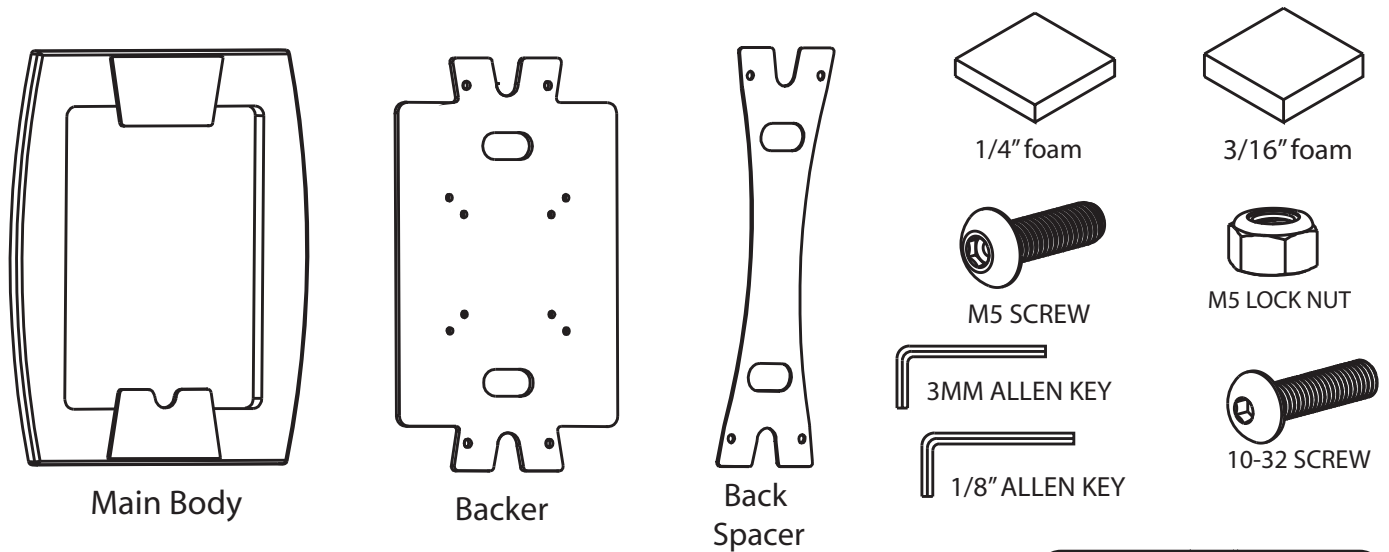
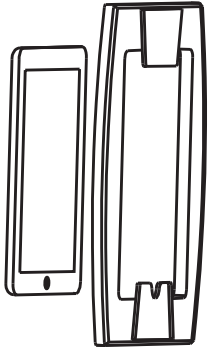
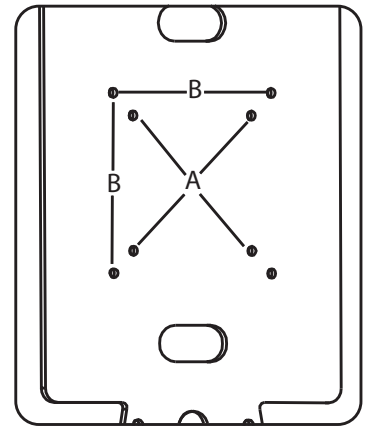


Acrylic Ipad Enclosure



1. Remove backer from main body, then attach backer to stand. Mate holes "A" or "B" with hole on stand. Using the M5 screw mount backer. Some stands require use of the M5 lock nut to attach.



2. Depending on the model a set of foam pads may be needed. Place the foam pad on the backer at each corner. Then place the Ipad into the main body, to hide the home button rotate Main body to side with a solid catch.

3. Attach Main body to backer making sure the back spacer is in place. Thread the 10-32 screw through the inserts on the back side of the Main Body following Path "C"

