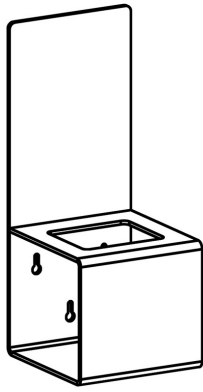


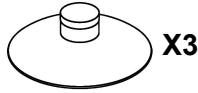
DGHSDFMCP - Sanitizer Dispenser with Suction Cups

Ver. 05/20

Parts List:



X1



X3



X3



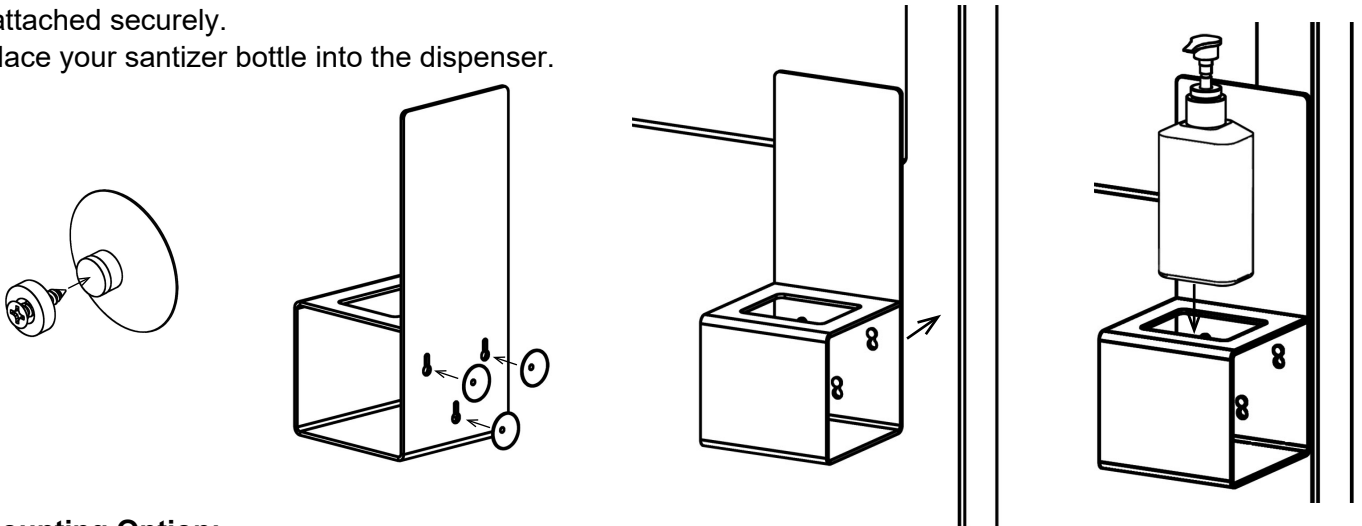
X4

Weight Capacity:

5 lbs. Maximum

Attach the dispenser to a vertical surface that is smooth, flat and clean.

- Insert the screw with spacer into the center of the suction cup, as shown below. Do this for all suction cups.
- Attach the 3 suction cups to the backside of the dispenser holder.
- Clean the desired surface and let it dry thoroughly. Press the dispenser firmly onto the surface and be sure it's attached securely.
- Place your sanitizer bottle into the dispenser.

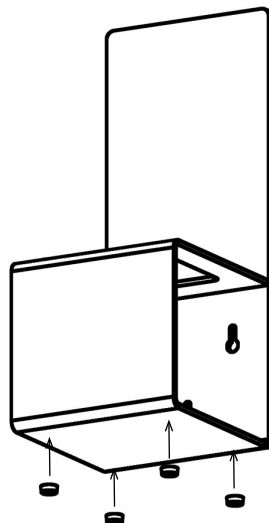


Wall Mounting Option:

Use 3 holes on the backside of bracket for wall mounting. **Hardware not included.**

Countertop Option:

Use 4 clear rubber pads on the bottom of the bottom surface of the dispenser. Place dispenser on flat surface and place sanitizer dispenser into holder.



Scan QR code to visit the product page:



If you have any questions regarding our products, please visit us at www.displays2go.com or contact D2G customer service at 844-221-3388.

DISPLAYS2GO