

# CHRGWRLSFR Charging Station Instruction

## Technical Specifications

Rev. 19.07

### I. Power Specs:

Input:

100-240VAC, 50/60Hz

Charging Port:

3 USB Charging Ports&3 wireless Modules

Charging Output:

USB-5V DC,Max.: 2.1A

Wireless Charging Output-5V DC,Max.:1A

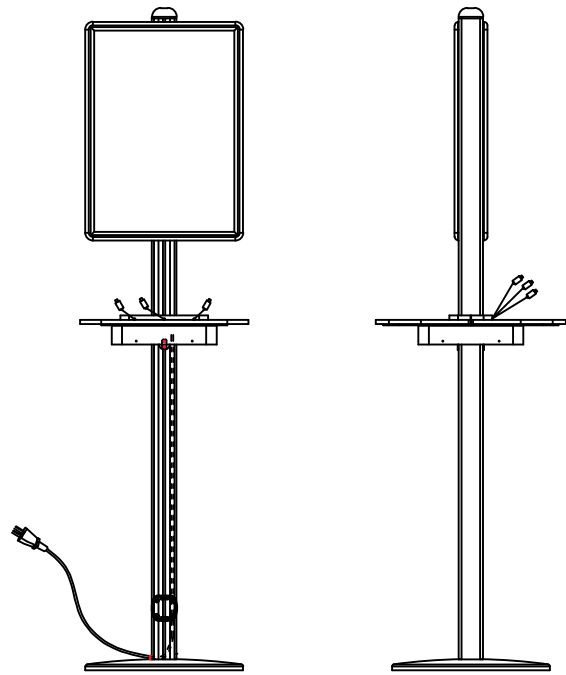
### II. Compatible devices:

Android devices, iPhone, iPad.

### III. Working Environment:

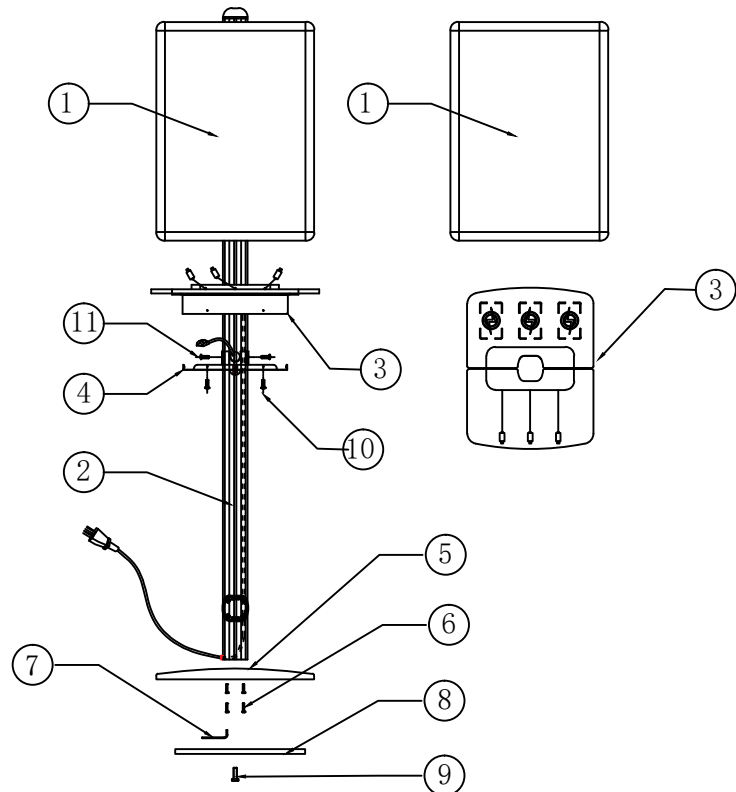
1. Working Temperature :-10 ~ 40 ; indoor use only

2. Storage Temperature: -25 ~ 60°C

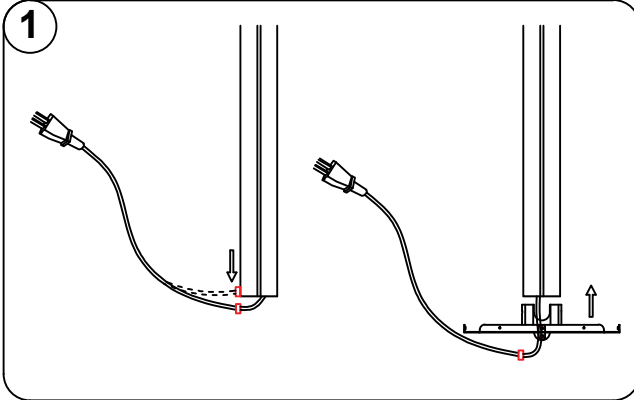


## Parts:

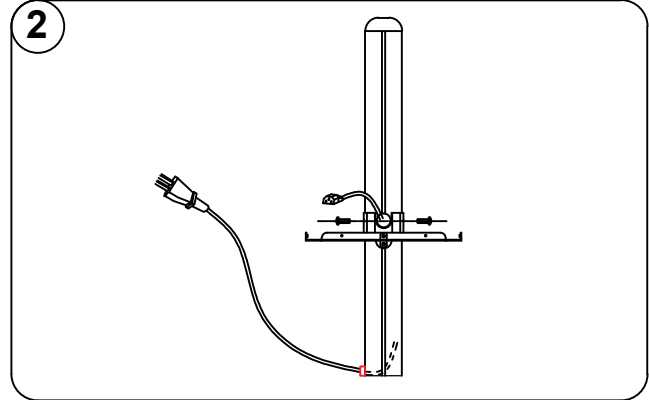
1 Snap Frame	2
2 Charging Pole	1
3 Acrylic Charging Set	1
4 Charging Set Steel Base	1
5 Base	1
6 Hex socket screw	4
7 Wrench	1
8 Weight Piece	1
9 Hex Bolt	1
10 M3x5 Machine Screw	8
11 M4x18 Self Tapping Screw	2



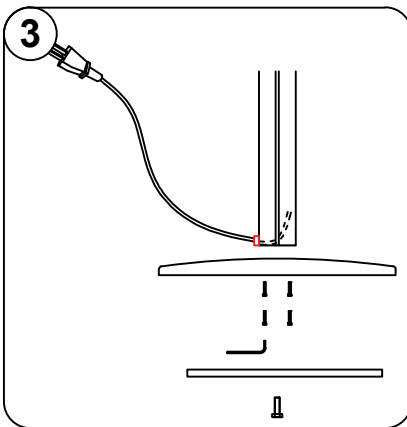
## Assembly Instructions



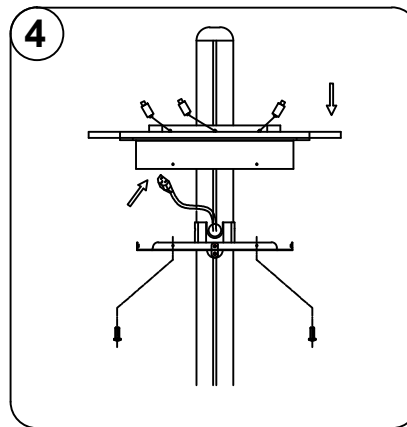
1. Remove the wire clip on the end, slide the Charging Set Steel Base from the end.



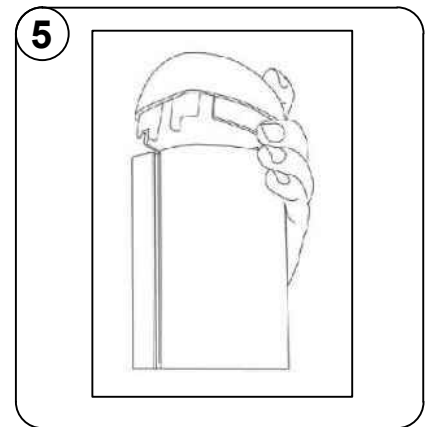
2. Fix the Charging Set Steel Base with the holes on the pole with M4x18 screws, tighten the screws on the connectors in the grooves.



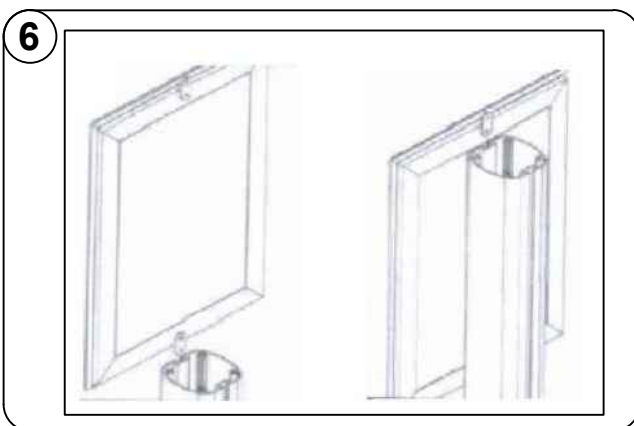
3. Connect the Pole, Base and weight piece as in the diagram.



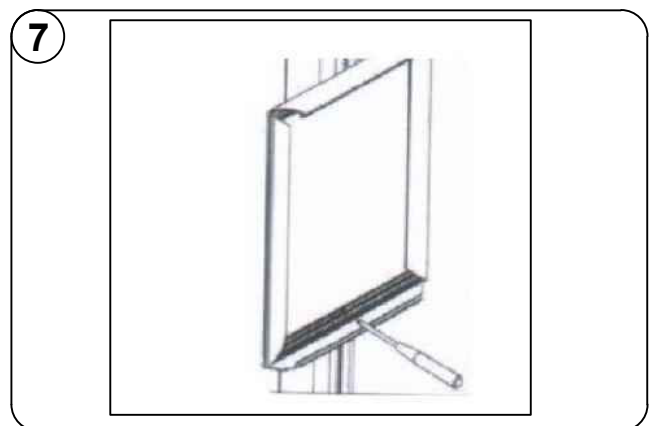
4. Slide the Acrylic Charging Set from the top, connect the power cord with the adapter inside the Acrylic Charging Set, and then fixed with the Charging Set Steel Base with M3x5 Machine screws.



5. Remove the cap.



6. Slide the (4) Connecting plates on the back of (2) snap frames into the grooves of pole set and adjust to desired height.



7. Open the upper covers of horizontal sides; Tighten the screws on the tops and bottoms of the frames.