

# Instructions for providing copy and 6' Table Throw for TRT

## ACCEPTABLE FILE FORMATS

.jpg  
.pdf  
.tiff  
.ai  
.psd  
.eps

\* Please note:

- Files must be CMYK
- All files must be PC compatible
- .ai files must have text "outlined" or flattened
- .psd files please "rasterize" all text layers

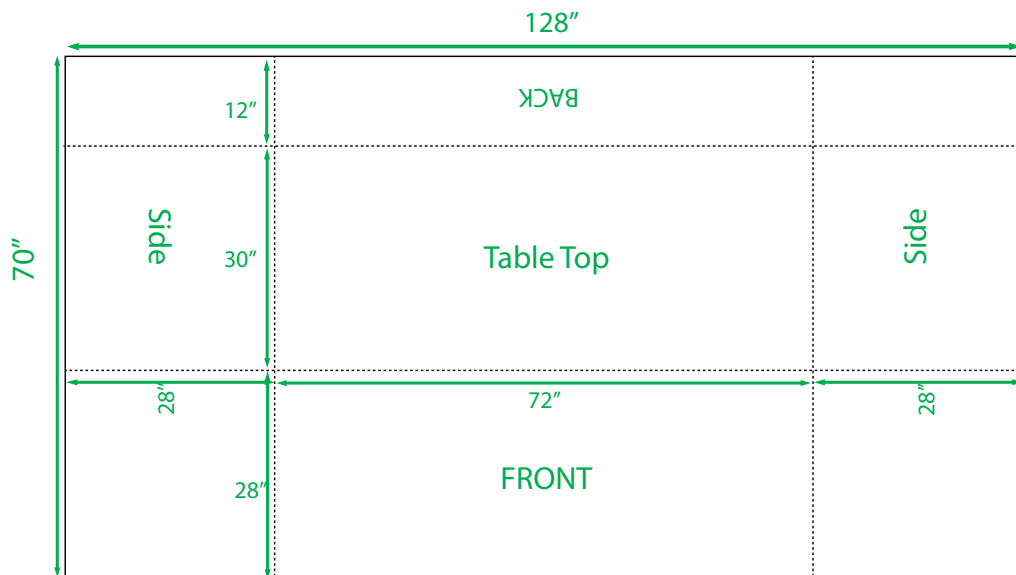
\*All files should be "high resolution". Files should have a minimum resolution of 150dpi when at FULL size.

## TRANSMITTING FILES

ONLINE: - <http://www.trtbanners.com/upload-artwork/>  
- recipient email address: [sales@trtbanners.com](mailto:sales@trtbanners.com)

## 6 FT TABLE THROW SIZE AND MARGINS

Design file at 128" x 70" (document size). Run background color/image full length and width of document. No need for excess bleed. Please note: There is a 1.5 inch margin along the outside edge for hem.



Phone: 1-877-223-6540 Email: [sales@trtbanners.com](mailto:sales@trtbanners.com)

[www.trtbanners.com](http://www.trtbanners.com)