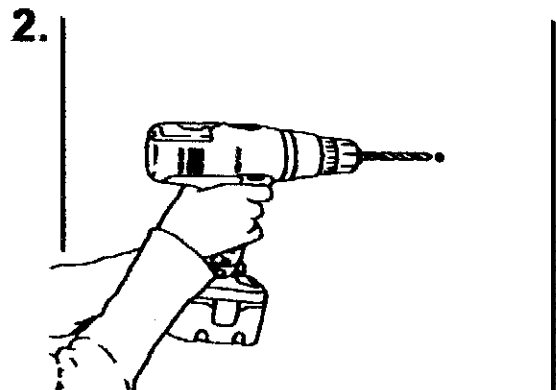
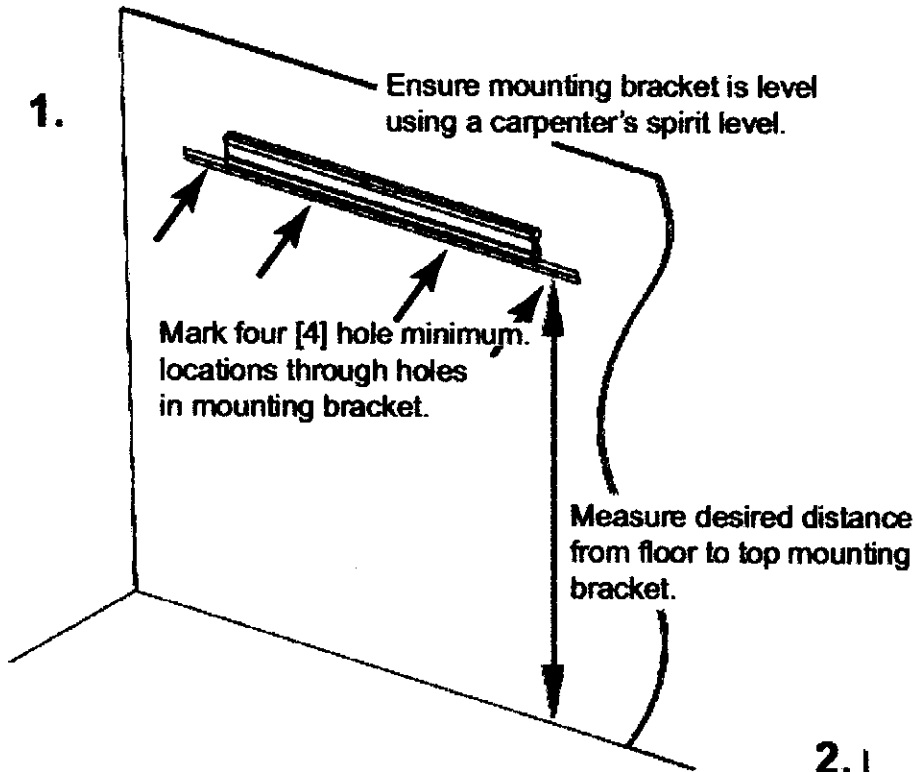
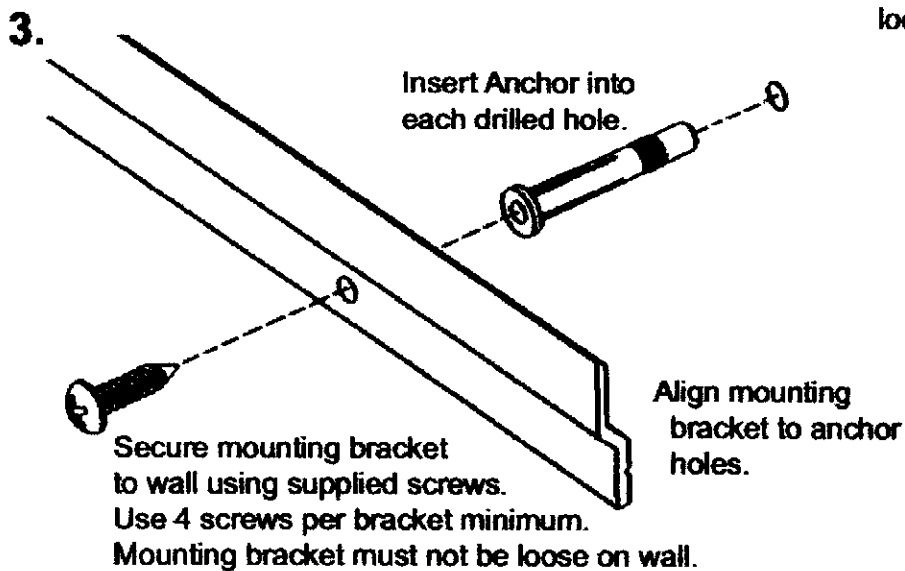


# Bulletin Board, Wall Mount

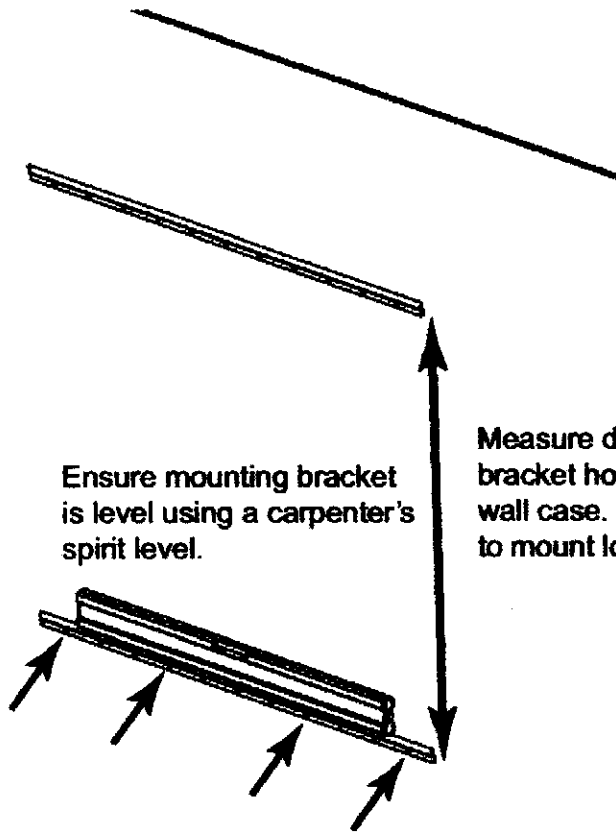


Drill hole in wall at each marked location.



# Bulletin Board, Wall Mount

4.

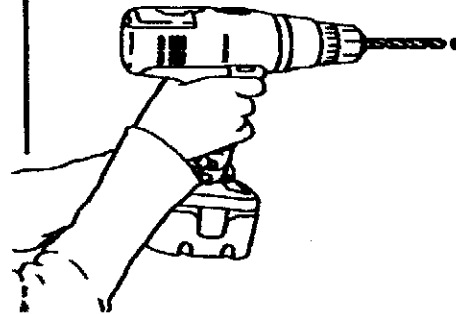


Ensure mounting bracket is level using a carpenter's spirit level.

Measure distance between bracket holes on back of wall case. This is the distance to mount lower bracket.

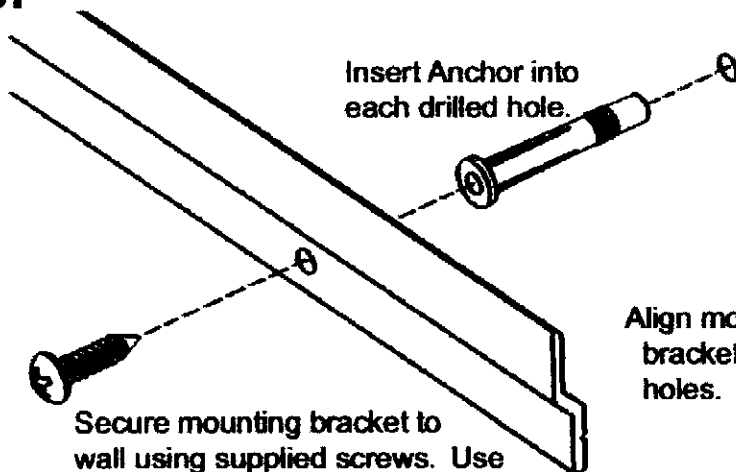
Mark four [4] hole minimum locations through holes in mounting bracket.

5.



Drill hole in wall at each marked location.

6.



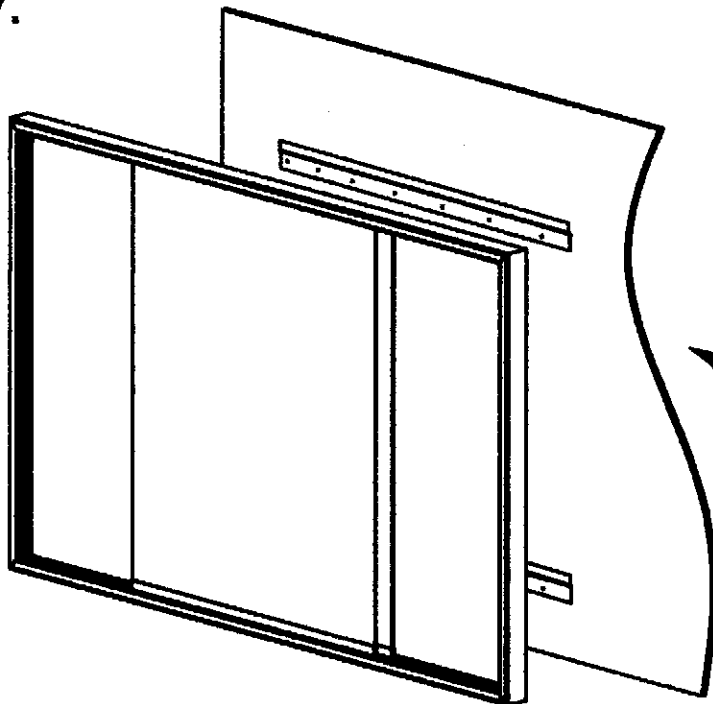
Insert Anchor into each drilled hole.

Align mounting bracket to anchor holes.

Secure mounting bracket to wall using supplied screws. Use 4 screws per bracket minimum. Mounting bracket must not be loose on wall.

# Bulletin Board, Wall Mount

7.



**IMPORTANT!**  
**Two Person Lift**

Case with glass doors is heavy. A minimum of two people are required to lift and hang this case.

Lift case just above mounting brackets on wall. Push case to wall and slowly lower case onto brackets. Visually check that both brackets on case are seated on both mounting brackets on wall before releasing case.

